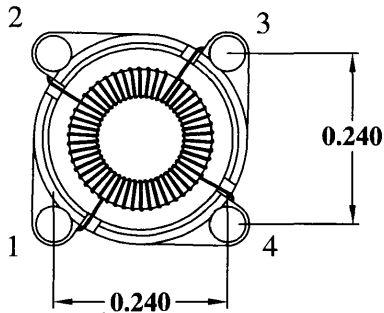
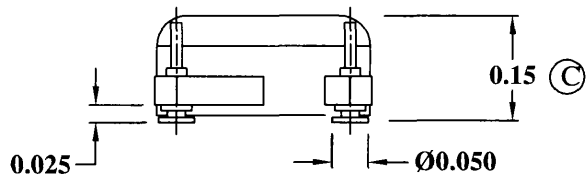
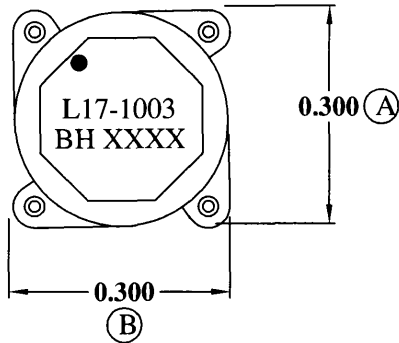
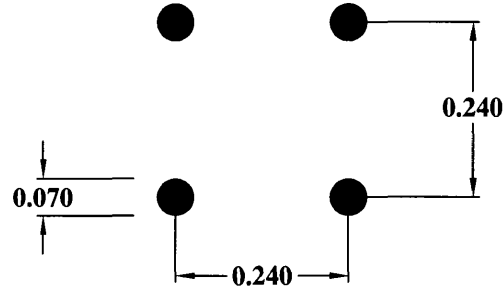


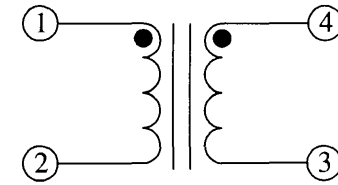
MECHANICAL



SUGGESTED PAD LAYOUT



SCHEMATIC



ELECTRICAL SPECIFICATIONS

URNS RATIO: 1:1


OPEN CIRCUIT INDUCTANCE: 1.57µH±10% @ 0 ADC (1, 4 - 2, 3)
10 KHz 5mV

DC BIAS: 1.02µH TYP. @ 5.63 ADC (1, 4 - 2, 3)
10 KHz 5mV

DC RESISTANCE: 0.017 OHMS MAX. (1, 4 - 2, 3)

IR: 1K MEGOHMS MIN. @ 100 VDC (1-4)

RoHS COMPLIANT

				DESIGN PER:	BH CATALOG	 BH ELECTRONICS, INC. BURNSVILLE & MARSHALL, MN © 1998 BH Electronics
				<input type="checkbox"/> CUSTOM <input checked="" type="checkbox"/> NON-PROPRIETARY		
				DRAWN:	K. LOFTUS	TITLE: INDUCTOR
				ENGR:	J. DECRAMER	
B	9-17-09	REVISE DIMENSIONS	<i>JDC</i>	UNLESS OTHERWISE SPECIFIED: DIMENSIONS IN INCHES, TOLERANCES NON-CUMULATIVE .XX±.01 .XXX±.005		PART NO. L17-1003
A	10-22-07	CUSTOMER PRINT	JDC			
ISSUE	DATE	REVISION	BY	PAGE 1 OF 1		