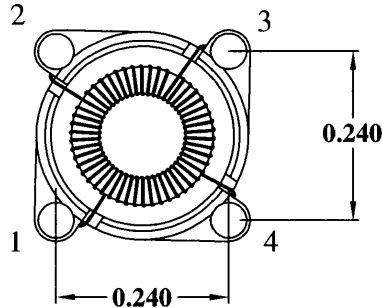
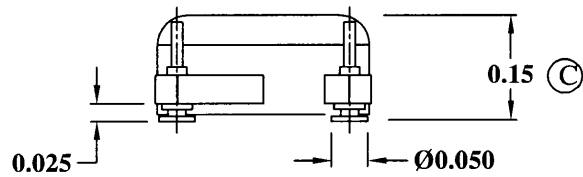
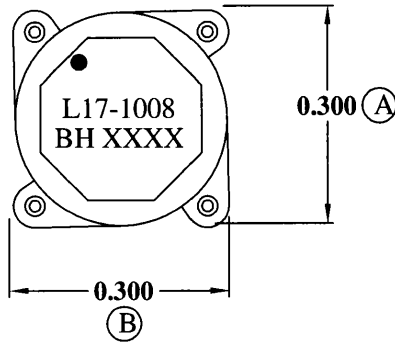
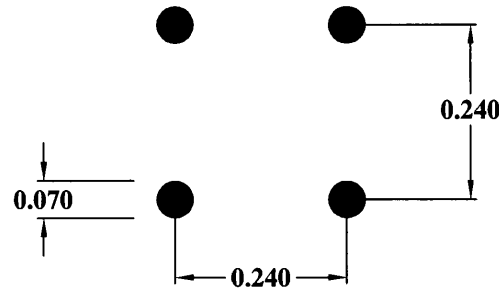


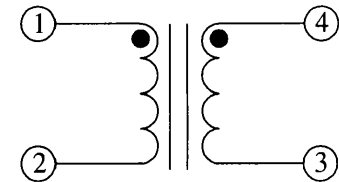
MECHANICAL



SUGGESTED PAD LAYOUT



SCHEMATIC



ELECTRICAL SPECIFICATIONS

TURNS RATIO: 1:1


OPEN CIRCUIT INDUCTANCE: 3.33 $\mu$ H $\pm$ 10% @ 0 ADC (1, 4 - 2, 3)  
10 KHz 10mV

DC BIAS: 2.16 $\mu$ H TYP. @ 3.87 ADC (1, 4 - 2, 3)  
10 KHz 10mV

DC RESISTANCE: 0.038 OHMS MAX. (1, 4 - 2, 3)

IR: 1K MEGOHMS MIN. @ 100 VDC (1-4)

RoHS COMPLIANT

				DESIGN PER:	BH CATALOG	 BH ELECTRONICS, INC. BURNSVILLE & MARSHALL, MN © 1998 BH Electronics
				<input type="checkbox"/> CUSTOM	NON-PROPRIETARY <input checked="" type="checkbox"/>	
				DRAWN:	K. LOFTUS	
				ENGR:	J. DECRAMER	TITLE:
B	9-17-09	REVISE DIMENSIONS	<i>JDC</i>	UNLESS OTHERWISE SPECIFIED: DIMENSIONS IN INCHES, TOLERANCES NON-CUMULATIVE .XX $\pm$ .01 .XXX $\pm$ .005		INDUCTOR
A	10-22-07	CUSTOMER PRINT	JDC			PART NO.
ISSUE	DATE	REVISION	BY			L17-1008
				PAGE 1 OF 1		