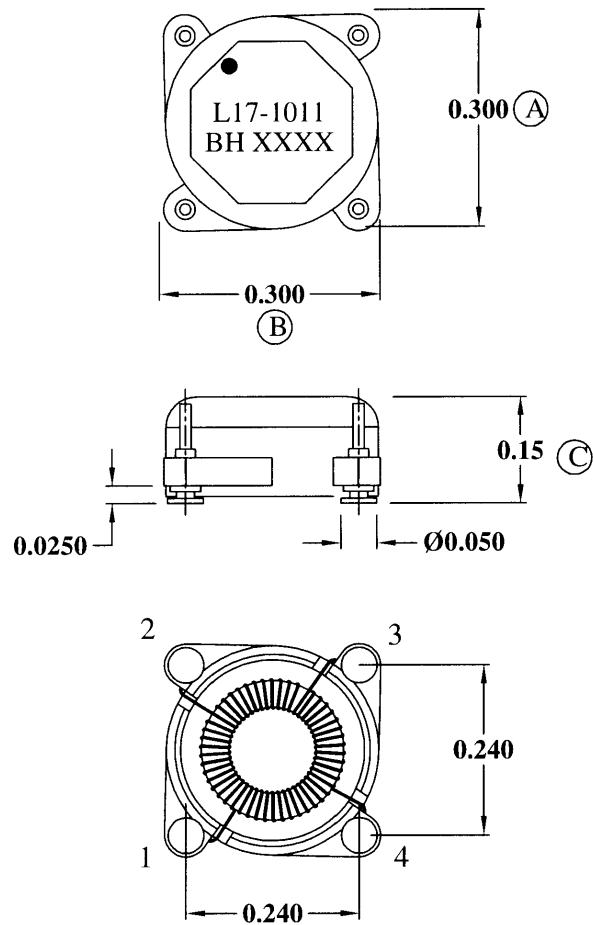
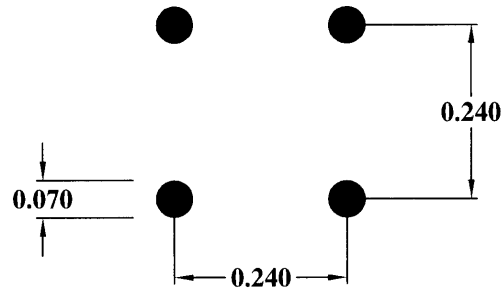


MECHANICAL

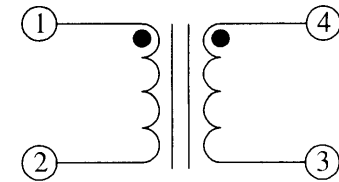


COPLANARITY 0.004 MAX.

SUGGESTED PAD LAYOUT



SCHEMATIC



ELECTRICAL SPECIFICATIONS

URNS RATIO: 1:1

OPEN CIRCUIT INDUCTANCE: 5.20 μ H +/-10% @ 0 ADC


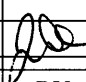
(1-2) (SH 1, 4) (SH 2, 3) 10 KHz 10mV

DC BIAS: 3.38 μ H TYP. @ 3.10 ADC (1-2) (SH 1, 4) (SH 2, 3)
10 KHz 10mV

DC RESISTANCE: 0.065 OHMS MAX. (1,4-2,3)

IR: 1K MEGOHMS MIN. @ 100 VDC (1-4)

RoHS COMPLIANT

				DESIGN PER: BH CATALOG	 BH ELECTRONICS, INC. BURNSVILLE & MARSHALL, MN © 1998 BH Electronics
				<input type="checkbox"/> CUSTOM <input checked="" type="checkbox"/> NON-PROPRIETARY	
				DRAWN: K. LOFTUS	TITLE: INDUCTOR
				ENGR: J. DECRAMER	
A	10-22-07	CUSTOMER PRINT		UNLESS OTHERWISE SPECIFIED: DIMENSIONS IN INCHES, TOLERANCES NON-CUMULATIVE .XX±.01 .XXX±.005	PART NO. L17-1011
ISSUE	DATE	REVISION			BY