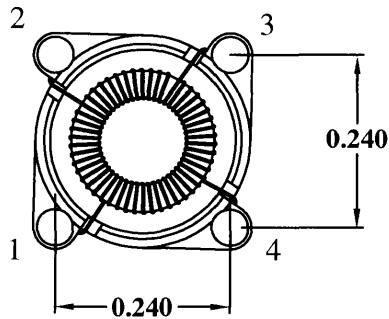
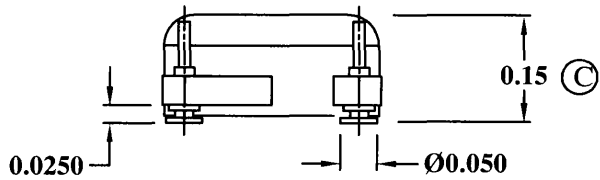
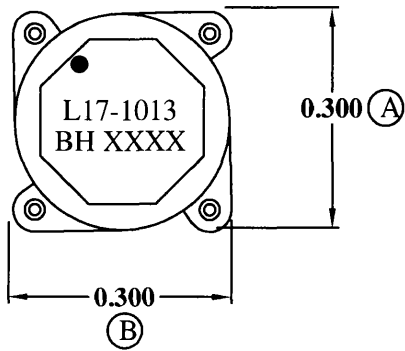
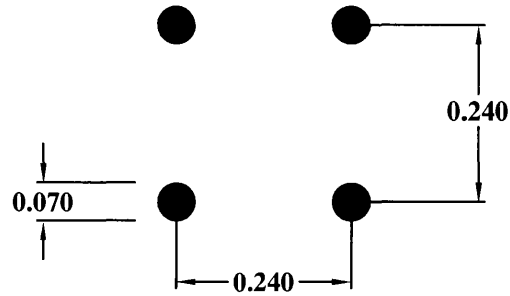


MECHANICAL

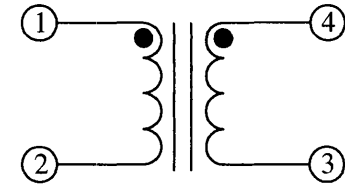


COPLANARITY 0.004 MAX.

SUGGESTED PAD LAYOUT



SCHEMATIC



ELECTRICAL SPECIFICATIONS

TURNS RATIO: 1:1


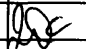
OPEN CIRCUIT INDUCTANCE: 7.49 $\mu$ H $\pm$ 10% @ 0 ADC (1, 4 - 2, 3)  
10 KHz 10mV

DC BIAS: 4.87 $\mu$ H TYP. @ 2.58 ADC (1, 4 - 2, 3)  
10 KHz 10mV

DC RESISTANCE: 0.093 OHMS MAX. (1, 4 - 2, 3)

IR: 1K MEGOHMS MIN. @ 100 VDC (1-4)

RoHS COMPLIANT

				DESIGN PER:	 BH ELECTRONICS, INC. BURNSVILLE & MARSHALL, MN © 1998 BH Electronics
				BH CATALOG	
				<input type="checkbox"/> CUSTOM <input checked="" type="checkbox"/> NON-PROPRIETARY	
				DRAWN: K. LOFTUS	
				ENGR: J. DECRAMER	TITLE: INDUCTOR
B	10-21-13	PAD LAYOUT		UNLESS OTHERWISE SPECIFIED: DIMENSIONS IN INCHES, TOLERANCES NON-CUMULATIVE .XX $\pm$ .01 .XXX $\pm$ .005 PAGE 1 OF 1	PART NO. L17-1013
A	10-22-07	CUSTOMER PRINT	JDC		
ISSUE	DATE	REVISION	BY		