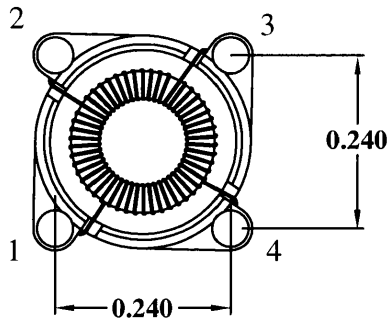
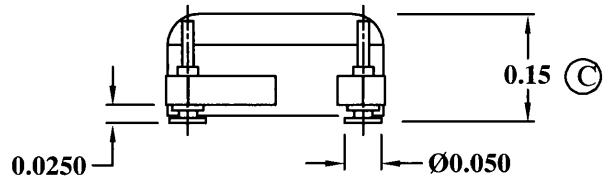
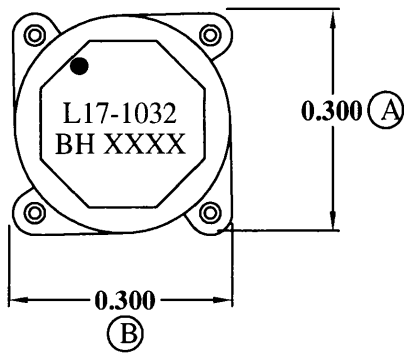
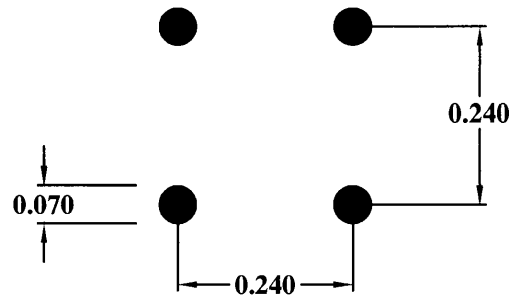


MECHANICAL

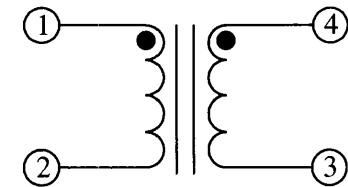


COPLANARITY 0.004 MAX.

SUGGESTED PAD LAYOUT



SCHEMATIC



ELECTRICAL SPECIFICATIONS

URNS RATIO: 1:1


OPEN CIRCUIT INDUCTANCE: 49.97 $\mu$ H $\pm$ 10% @ 0 ADC (1, 4 - 2, 3)  
10 KHz 40mV

DC BIAS: 32.48 $\mu$ H TYP. @ 1.00 ADC (1, 4 - 2, 3)  
10 KHz 40mV

DC RESISTANCE: 0.593 OHMS MAX. (1, 4 - 2, 3)

IR: 1K MEGOHMS MIN. @ 100 VDC (1-4)

RoHS COMPLIANT

				DESIGN PER:	BH CATALOG	 BH ELECTRONICS, INC. BURNSVILLE & MARSHALL, MN  © 1998 BH Electronics
				<input type="checkbox"/> CUSTOM	<input checked="" type="checkbox"/> NON-PROPRIETARY	
				DRAWN:	K. LOFTUS	
				ENGR:	J. DECRAMER	
B	10-21-13	PAD LAYOUT	<i>JDC</i>	UNLESS OTHERWISE SPECIFIED: DIMENSIONS IN INCHES, TOLERANCES NON-CUMULATIVE .XX $\pm$ .01 .XXX $\pm$ .005		TITLE:
A	10-22-07	CUSTOMER PRINT	<i>JDC</i>			TITLE:
ISSUE	DATE	REVISION	BY	PAGE 1 OF 1		PART NO.
						L17-1032