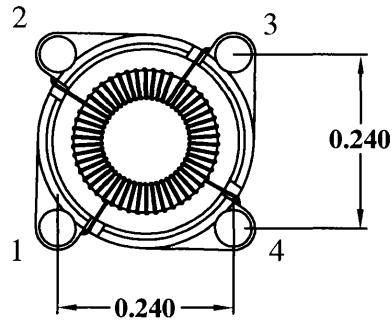
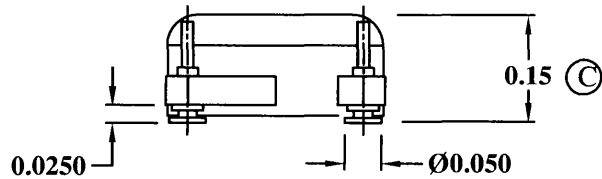
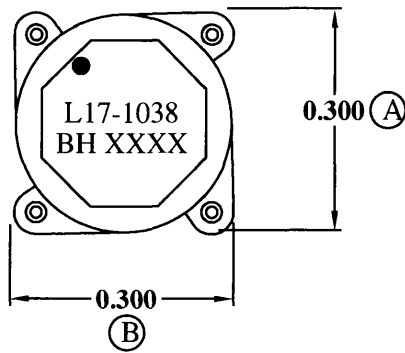
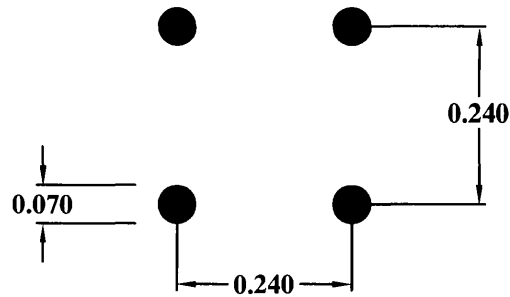


MECHANICAL

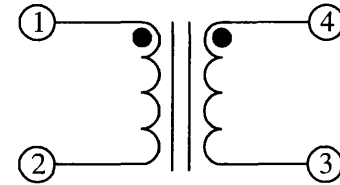


COPLANARITY 0.004

SUGGESTED PAD LAYOUT



SCHEMATIC



ELECTRICAL SPECIFICATIONS

URNS RATIO: 1:1

OPEN CIRCUIT INDUCTANCE: 71.19 μ H \pm 10% @ 0 ADC (1, 4 - 2, 3)
10 KHz 40mV


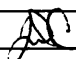
DC BIAS: 46.27 μ H TYP. @ 0.84 ADC (1, 4 - 2, 3)
10 KHz 40mV

DC RESISTANCE: 0.925 OHMS MAX. (1, 4 - 2, 3)

IR: 1K MEGOHMS MIN. @ 100 VDC (1-4)

PRIMARY LEAKAGE INDUCTANCE: 0.120 μ H NOM. (1-2 SH 3, 4) 120 KHz 50mV

RoHS COMPLIANT

				DESIGN PER:	BH CATALOG		 BH ELECTRONICS, INC. BURNSVILLE & MARSHALL, MN © 1998 BH Electronics
				<input type="checkbox"/> CUSTOM	NON-PROPRIETARY <input checked="" type="checkbox"/>		
				DRAWN:	K. LOFTUS		
				ENGR:	J. DECRAMER		
C	10-23-13	PAD LAYOUT		UNLESS OTHERWISE SPECIFIED: DIMENSIONS IN INCHES, TOLERANCES NON-CUMULATIVE .XX \pm .01 .XXX \pm .005		TITLE:	INDUCTOR
B	8-12-13	REVISE ELECTRICALS	JDC				
A	10-22-07	CUSTOMER PRINT	JDC				
ISSUE	DATE	REVISION	BY	PAGE 1 OF 1		PART NO.	L17-1038